

ROYAL CANADIAN AIR FORCE



LIST OF SPECIAL INFORMATION  
AIRCRAFT ACCESSORIES  
GENERAL

(This EO replaces EO 15-1-5A dated 12 Sep 56)

ISSUED ON AUTHORITY OF THE CHIEF OF THE AIR STAFF

18 FEB 57

# LIST OF RCAF REVISIONS

<b>DATE</b>	<b>PAGE NO</b>	<b>DATE</b>	<b>PAGE NO</b>
-------------	----------------	-------------	----------------

**TABLE OF CONTENTS**

<b>LATEST DATE</b>	<b>EO NUMBER</b>	<b>TITLE</b>
*	15-1-5A/1	(Replaced by EO 15-1-5A/2)
*20 Dec 56	/2	Engine Lord Mounts 27LM/187 and 27LM/172

\*Asterisks appearing opposite entries denote changes since last issue.



**SPECIAL INFORMATION**  
**ENGINE LORD MOUNTS**  
**27LM/187 AND 27LM/172**

(This EO replaces EO 15-1-5A/1 dated 8 May 56)

**EQUIPMENT AFFECTED:**

Expeditor Engine Mounts,  
RCAF Ref. 27LM/187, Part J5384-1  
RCAF Ref. 27LM/172, Part J5385-1

**GENERAL**

1 The following information is compiled to act as a guide for determining the serviceability of the J5384-1 and J5385-1 Lord Mounts.

2 The conditions illustrated in Figures 1 to 3 inclusive are normal and are not cause for rejection. The nicks or cuts in the rubber caused by the outershell are a result of extreme loading conditions. These, however do not effect the main body of the rubber or its function.

3 In cases of doubt, the mount should be examined for the conditions shown in Figures 4 and 5. This examination is to be done under no bad conditions. This may be accomplished by taking up the weight of the engine with a crane and making the measurements prescribed.

4 If a mount exceeds any of the above, it must be replaced by a new part.

5 It is to be noted that Zinc Chromate primer is not to be used on the bushings. They must be masked as required to protect them from over-spray during painting.



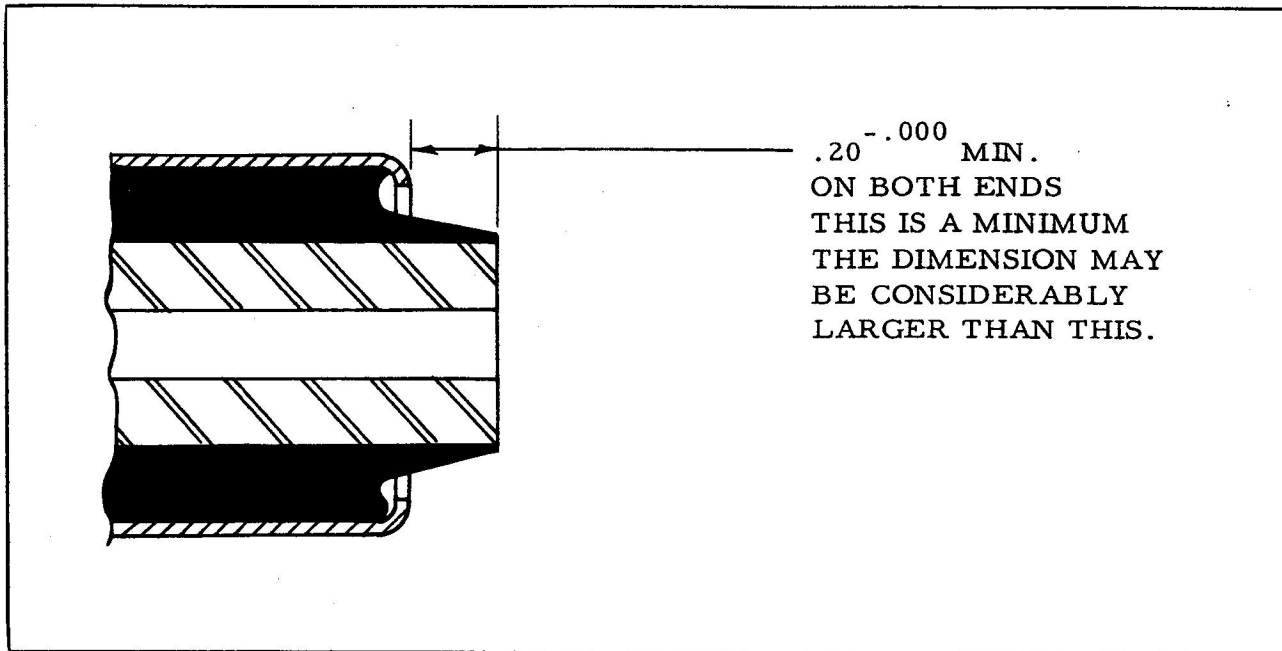


Figure 4

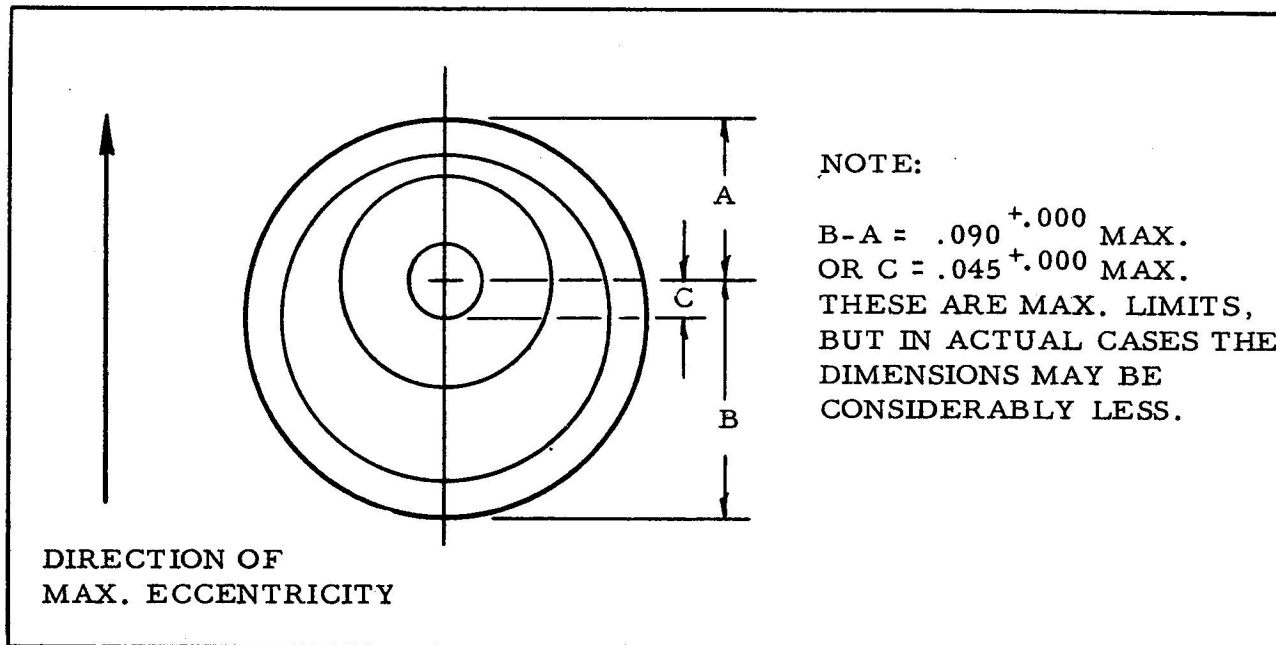


Figure 5

Prepared By: ISSUED ON AUTHORITY OF THE CHIEF OF THE AIR STAFF  
AMC/SACO/ACA

